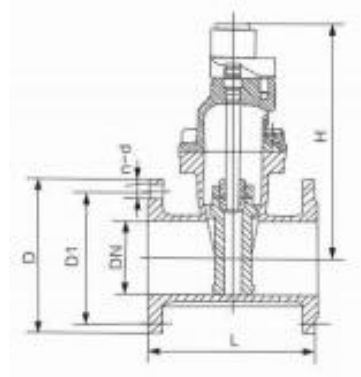


# SZ45X



| выбирать   |     | Рас | Д       |         | Д1      |         | N-D     |         |
|------------|-----|-----|---------|---------|---------|---------|---------|---------|
| следование |     | DN  | 1,6 МПа | 1,0 МПа | 1,6 МПа | 1,0 МПа | 1,6 МПа | 1,0 МПа |
|            |     |     | л       |         | ЧАС     |         |         |         |
| 50         | 165 | 125 | 125     | 4-19    | 4-19    | 178     | 200     |         |
| 65         | 185 | 145 | 145     | 4-19    | 4-19    | 190     | 230     |         |
| 80         | 200 | 160 | 160     | 8-19    | 8-19    | 203     | 270     |         |
| 100        | 220 | 180 | 180     | 8-19    | 8-19    | 229     | 300     |         |
| 125        | 250 | 210 | 210     | 8-19    | 8-19    | 254     | 390     |         |
| 150        | 285 | 240 | 240     | 8-23    | 8-23    | 267     | 420     |         |
| 200        | 340 | 295 | 295     | 8-23    | 12-23   | 292     | 520     |         |
| 250        | 405 | 350 | 355     | 12-23   | 12-28   | 330     | 600     |         |
| 300        | 460 | 400 | 410     | 12-23   | 12-28   | 356     | 700     |         |